

A67042

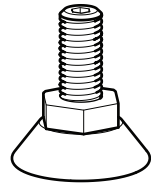


A67124

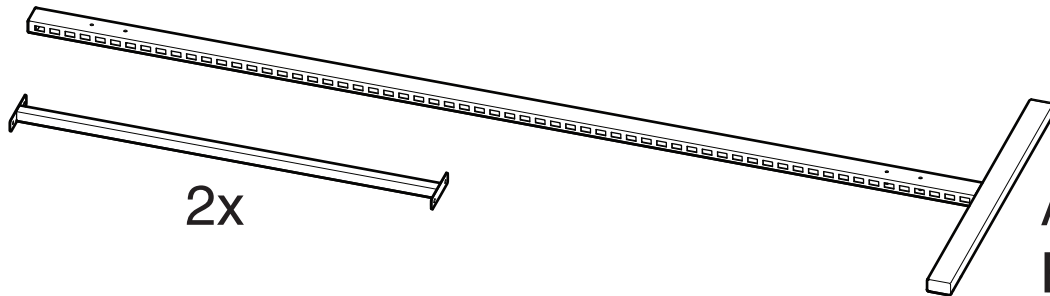


A67114

A = 8x
B = 4x

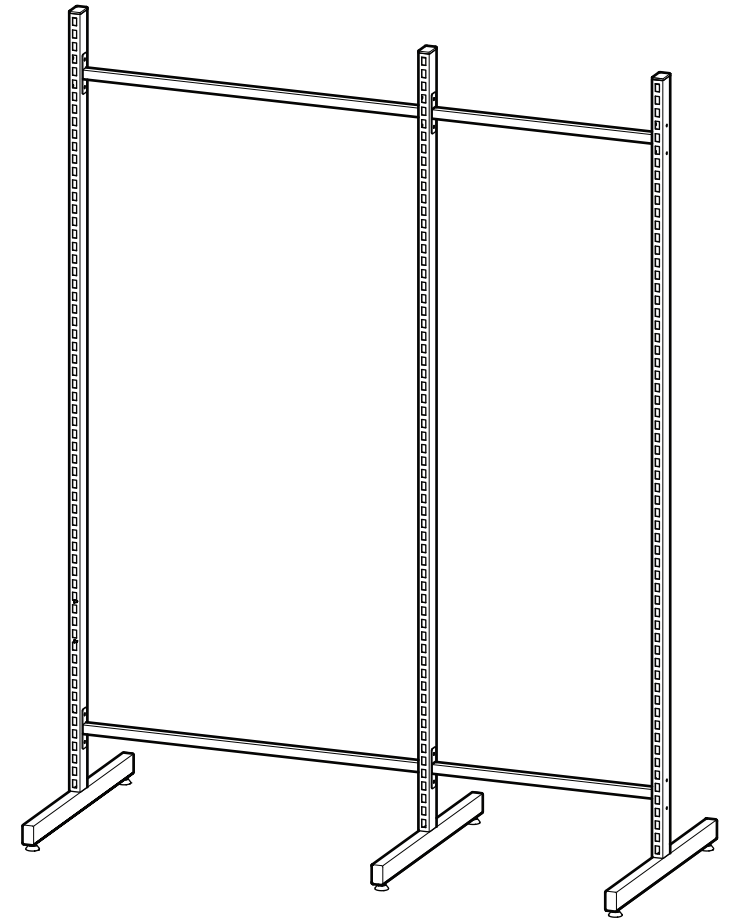


A = 4x
B = 2x

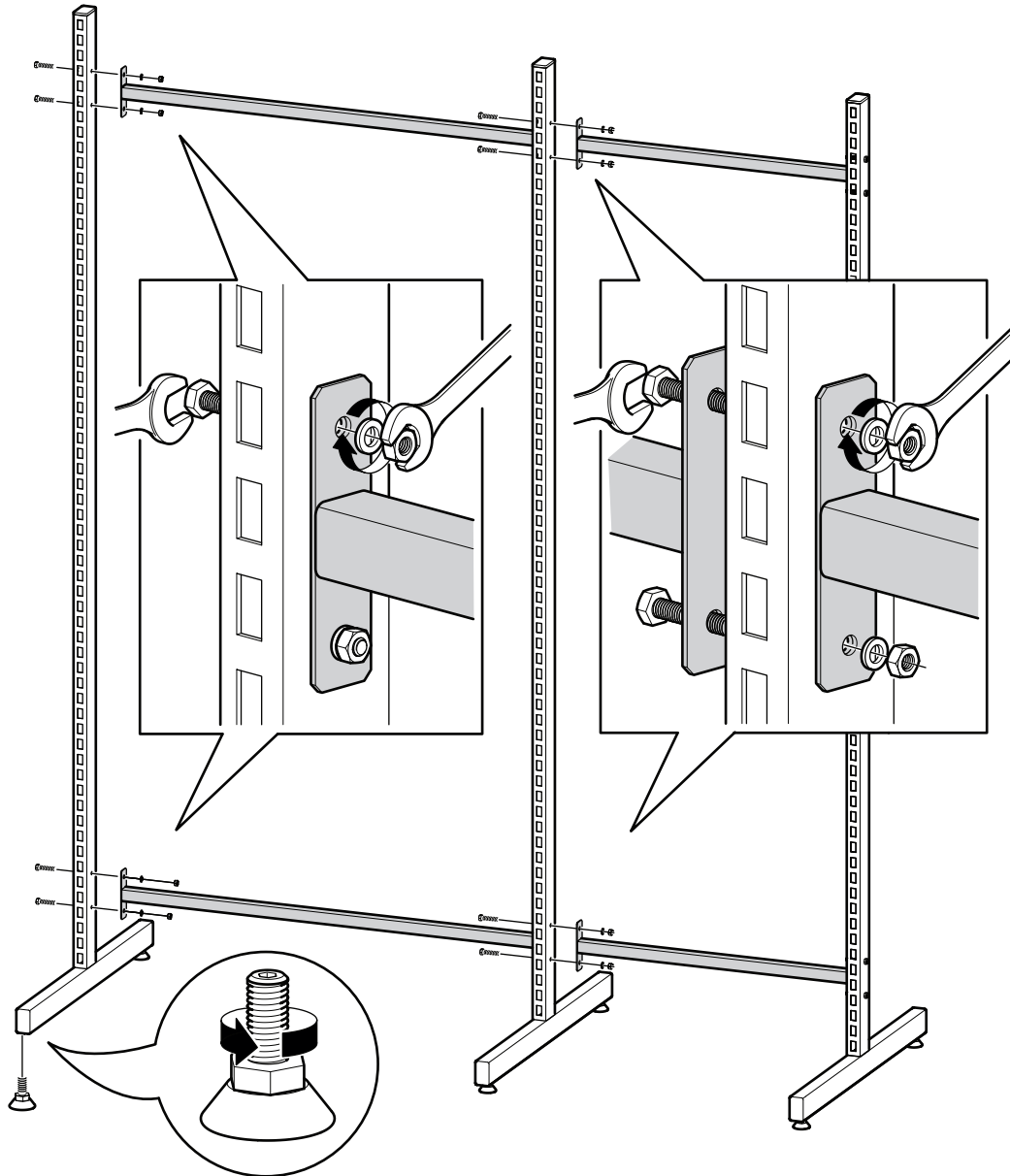


2x

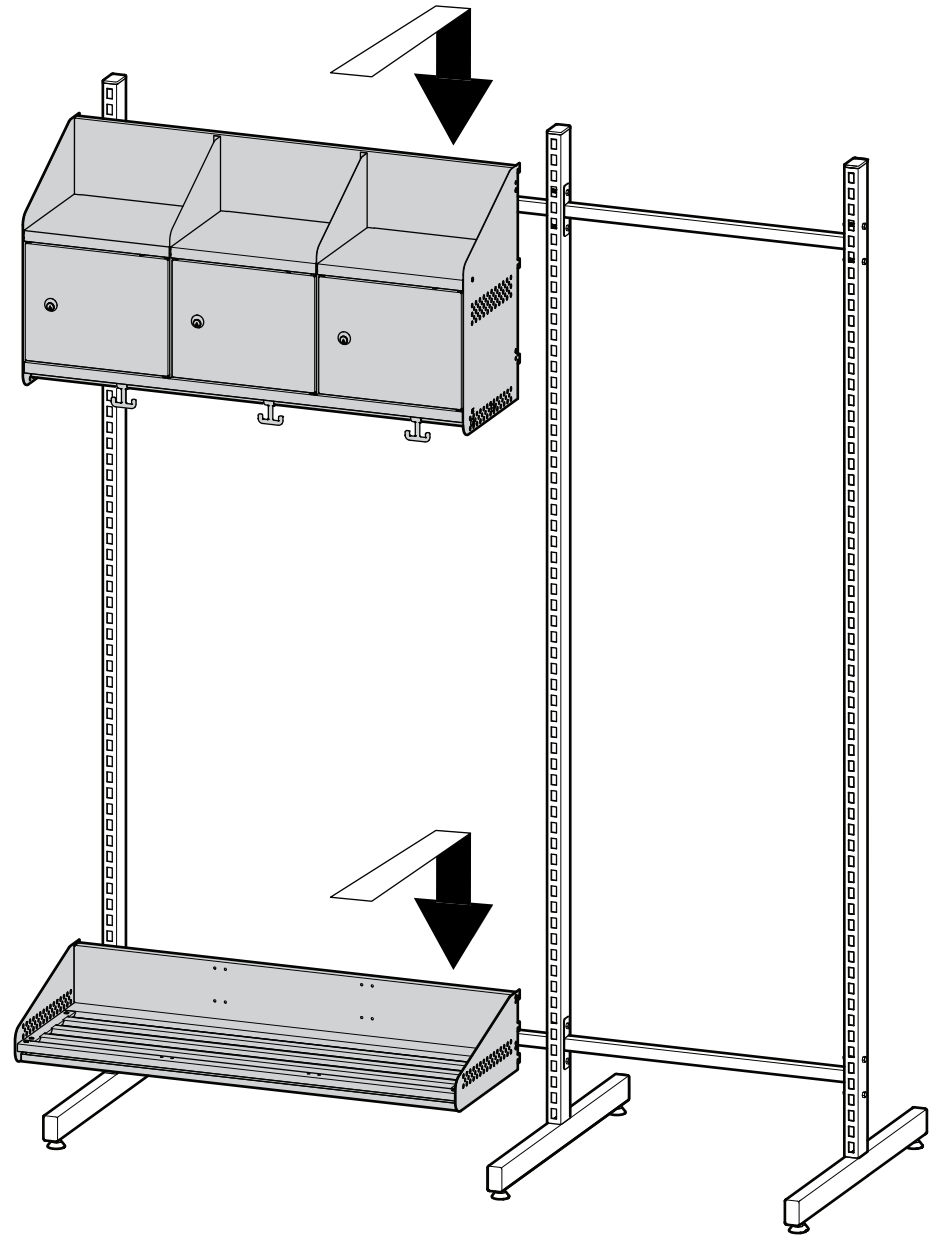
A = 2x
B = 1x



1



2



3

