

2 PERSONS

# ASSEMBLY INSTRUCTION



Ax4



Bx1



Cx4



Dx4

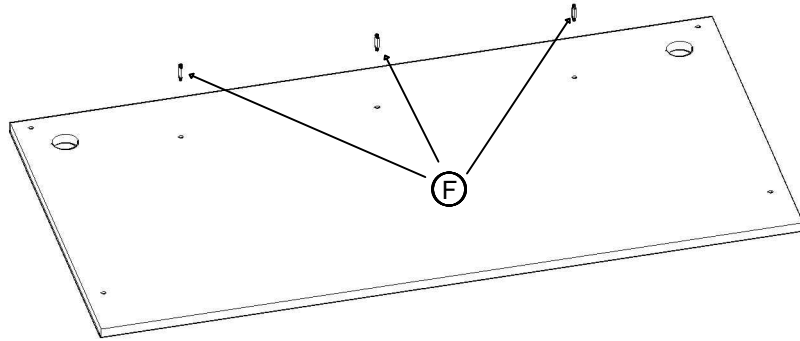


Ex3

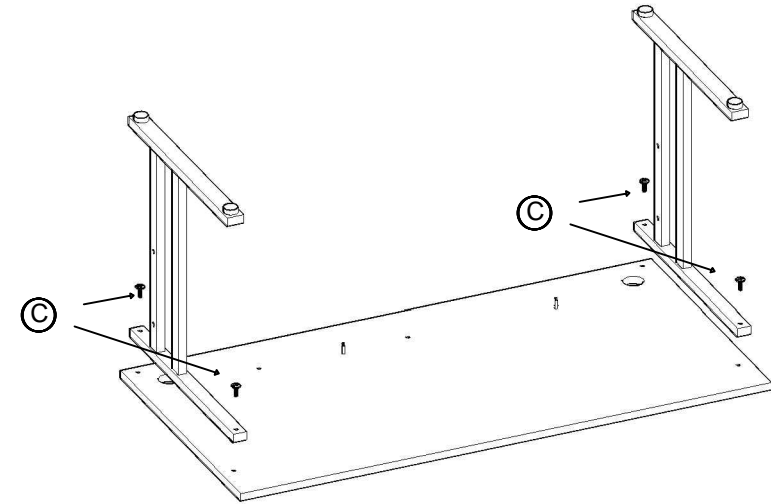


Fx3

1

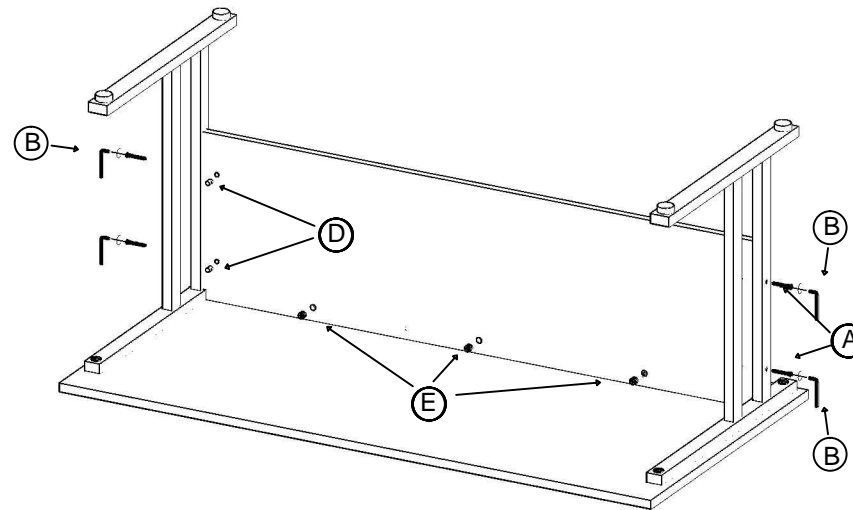


2



*Legs lightly tighten  
the screws*

3



*When you place the elements  
tighten all screws*